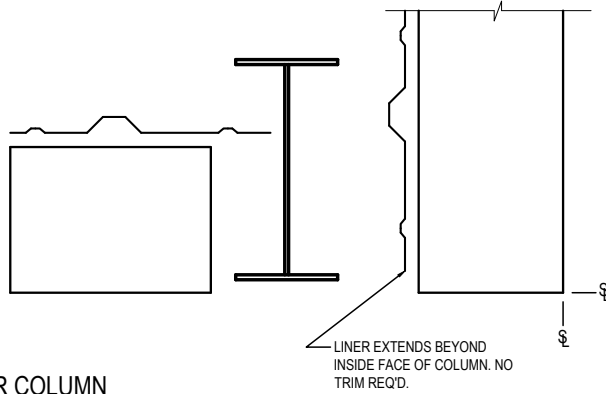


LINER GENERAL DETAILS

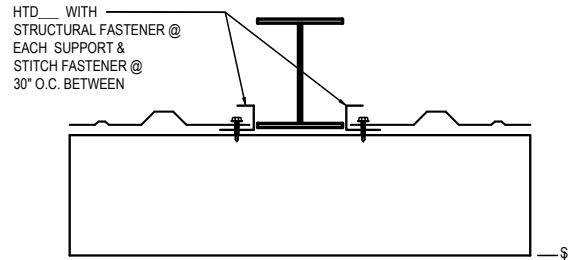
- IA0010 - LINER TERMINATION DETAILS (R-PANEL)
 - IA0020 - LINER TERMINATION DETAILS (A-PANEL)
 - IA0030 - LINER TERMINATION DETAILS (REVERSE R-PANEL)
 - IA0070 - WALL AND CEILING LINER PANEL ERECTION DETAIL
 - IA0075 - WALL LINER PANEL ENDLAP
 - IA0080 - CEILING LINER PANEL ENDLAP
 - IA0090 - PANEL TERMINATION AT WALL
 - IA0100 - CEILING LINER TERMINATION AT RAFTER
-

IA0010 - LINER TERMINATION DETAILS (R-PANEL)

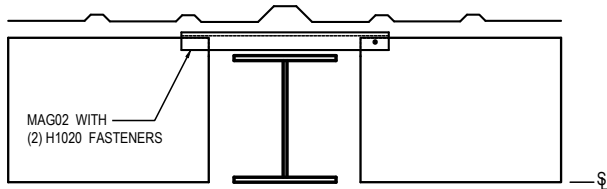
[Download the DWG file by clicking here.](#)



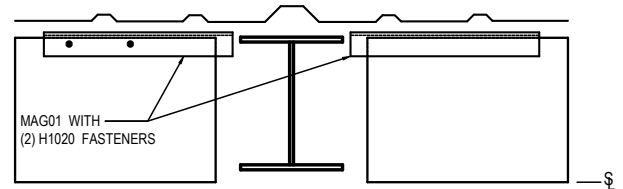
CORNER COLUMN



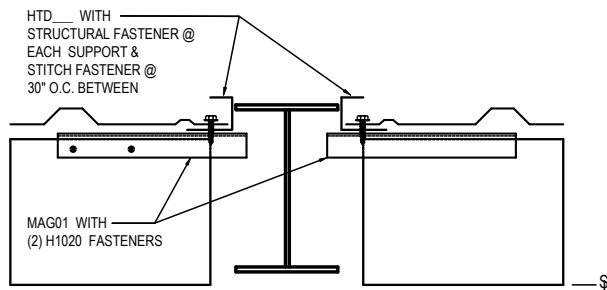
BYPASS GIRT OR PURLIN



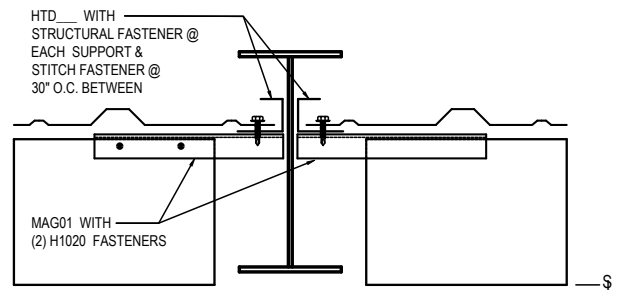
FLANGE INSET OF GIRT



FLANGE CONCEALED BY PANEL



FLANGE EVEN WITH PANEL TRIM



FLANGE INSIDE PANEL TRIM

LINER TERMINATION DETAILS

FASTENER KEY
H1040 - STRUCTURAL FASTENERS
H1060 - STITCH FASTENERS

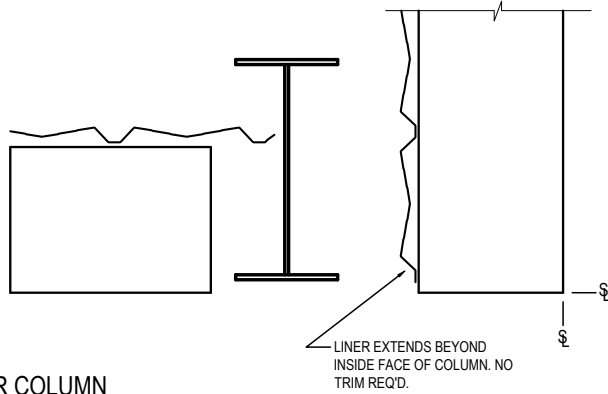
IA0010

Detailer Notes:

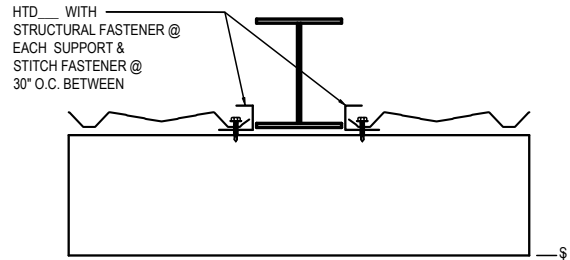
- 1) N/A

IA0020 - LINER TERMINATION DETAILS (A-PANEL)

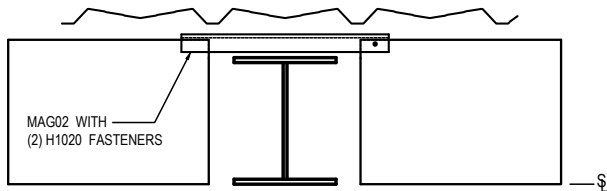
[Download the DWG file by clicking here.](#)



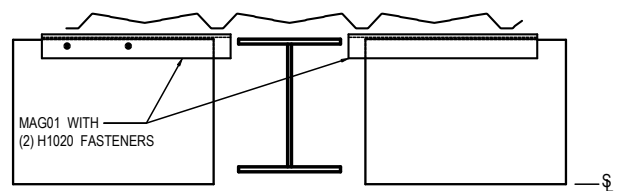
CORNER COLUMN



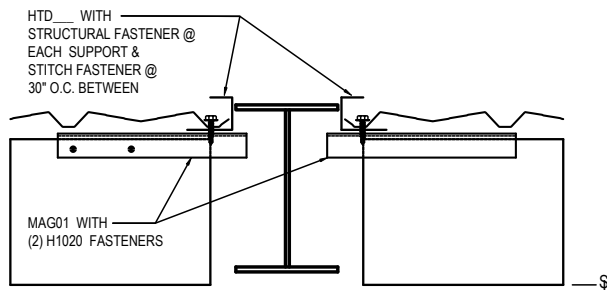
BYPASS GIRT



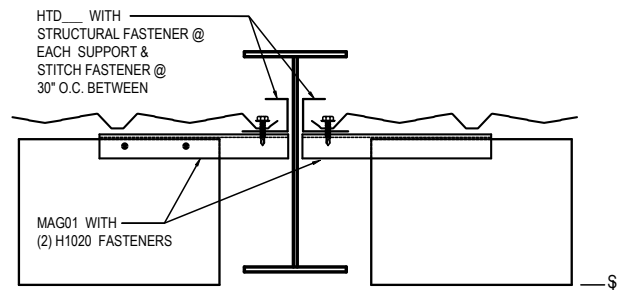
FLANGE INSET OF GIRT



FLANGE CONCEALED BY PANEL



FLANGE EVEN WITH PANEL TRIM



FLANGE INSIDE PANEL TRIM

LINER TERMINATION DETAILS

FASTENER KEY
H1040 - STRUCTURAL FASTENERS
H1060 - STITCH FASTENERS

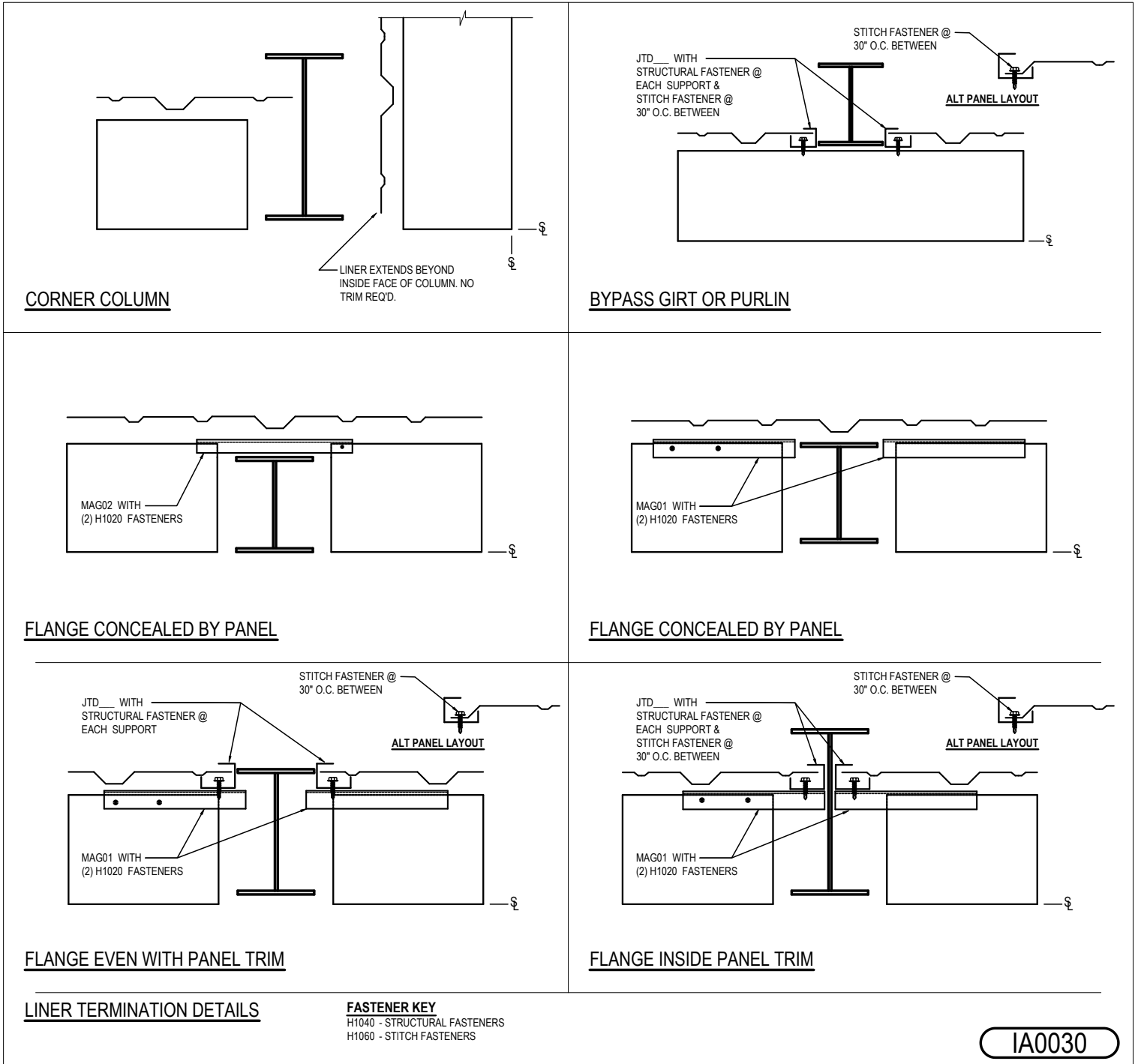
IA0020

Detailer Notes:

- 1) N/A

IA0030 - LINER TERMINATION DETAILS (REVERSE R-RANEL)

[Download the DWG file by clicking here.](#)



Detailer Notes:

- 1) N/A

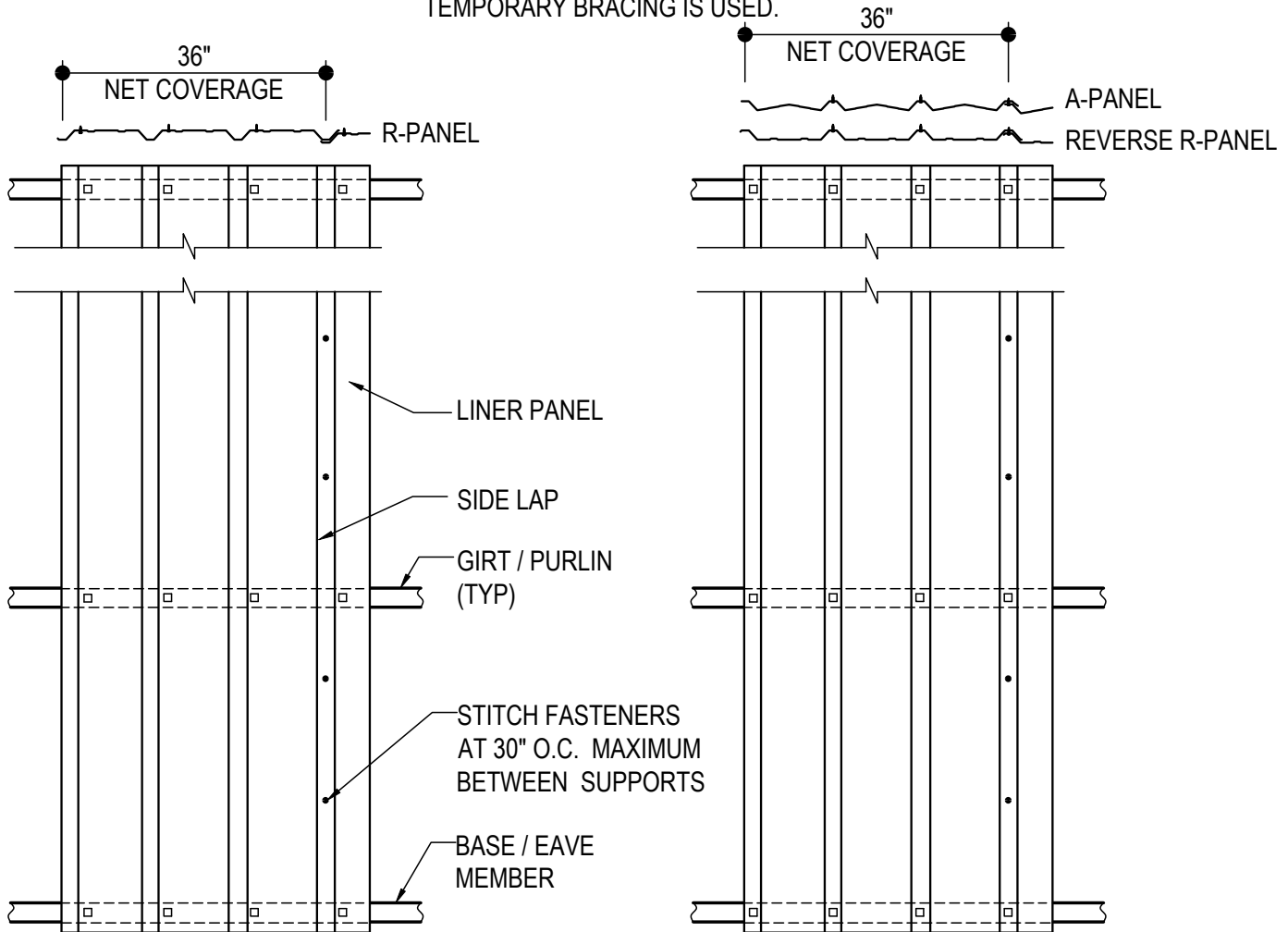
IA0070 - WALL AND CEILING LINER PANEL ERECTION DETAIL

[Download the DWG file by clicking here.](#)

- H1060 STITCH FASTENER
- H1040 STRUCTURAL FASTENER

ERECTOR NOTE:

ERECTION OF THE LINER PANEL MUST BE COORDINATED PROPERLY WITH THE BRACING AND BRACE STRUTS TO ENSURE THAT THE STRUCTURE IS ADEQUATELY BRACED DURING THE ERECTION PROCESS. TEMPORARY REMOVAL OF BRACING AND STRUTS IS ACCEPTABLE FOR LINER ERECTION, PROVIDED ADEQUATE TEMPORARY BRACING IS USED.



WALL & CEILING LINER ERECTION DETAIL

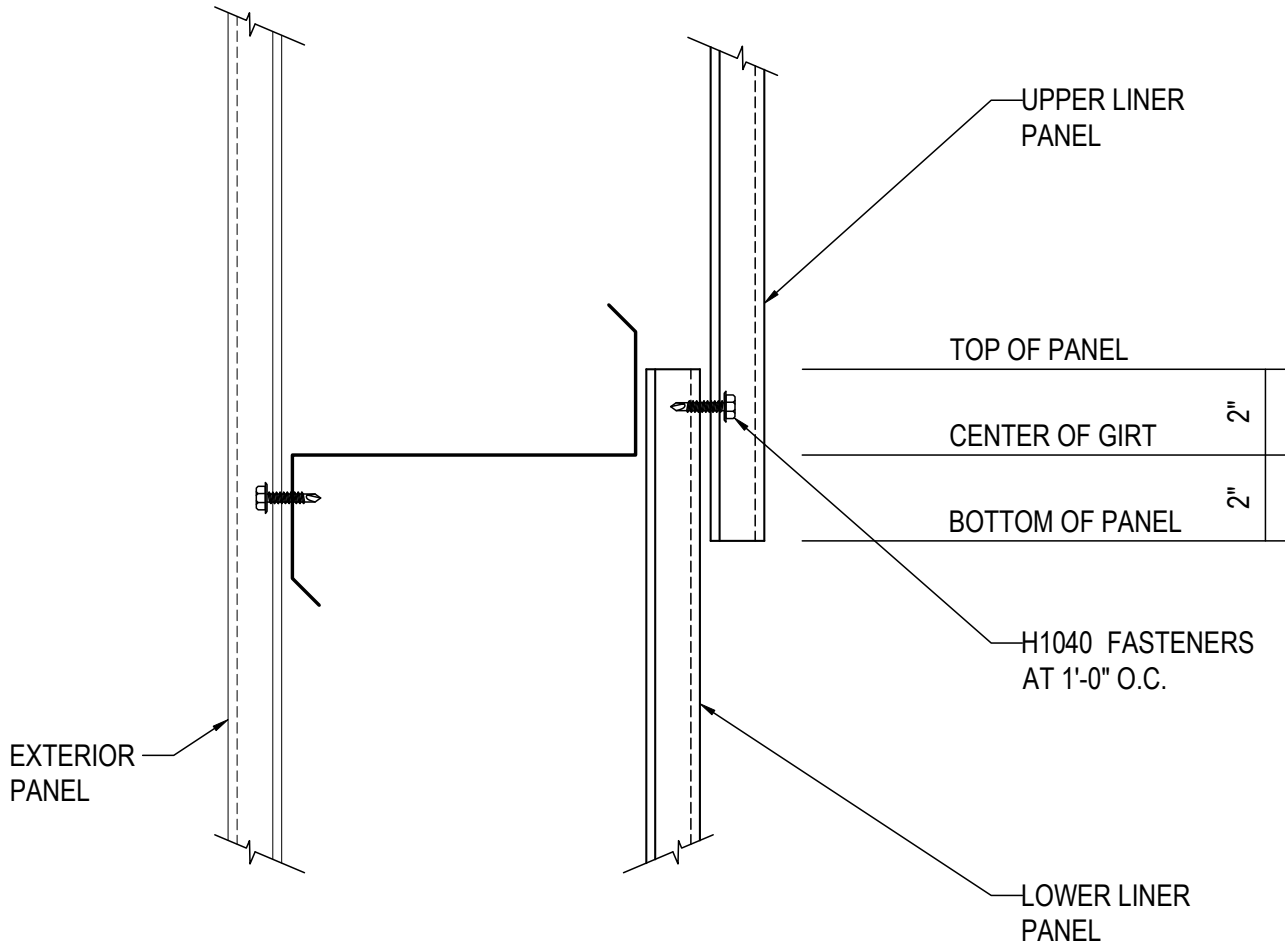
IA0070

Detailer Notes:

- 1) N/A

IA0075 - WALL LINER PANEL ENDLAP

[Download the DWG file by clicking here.](#)



LINER PANEL ENDLAP

ALL STANDARD LINER PANEL TYPES

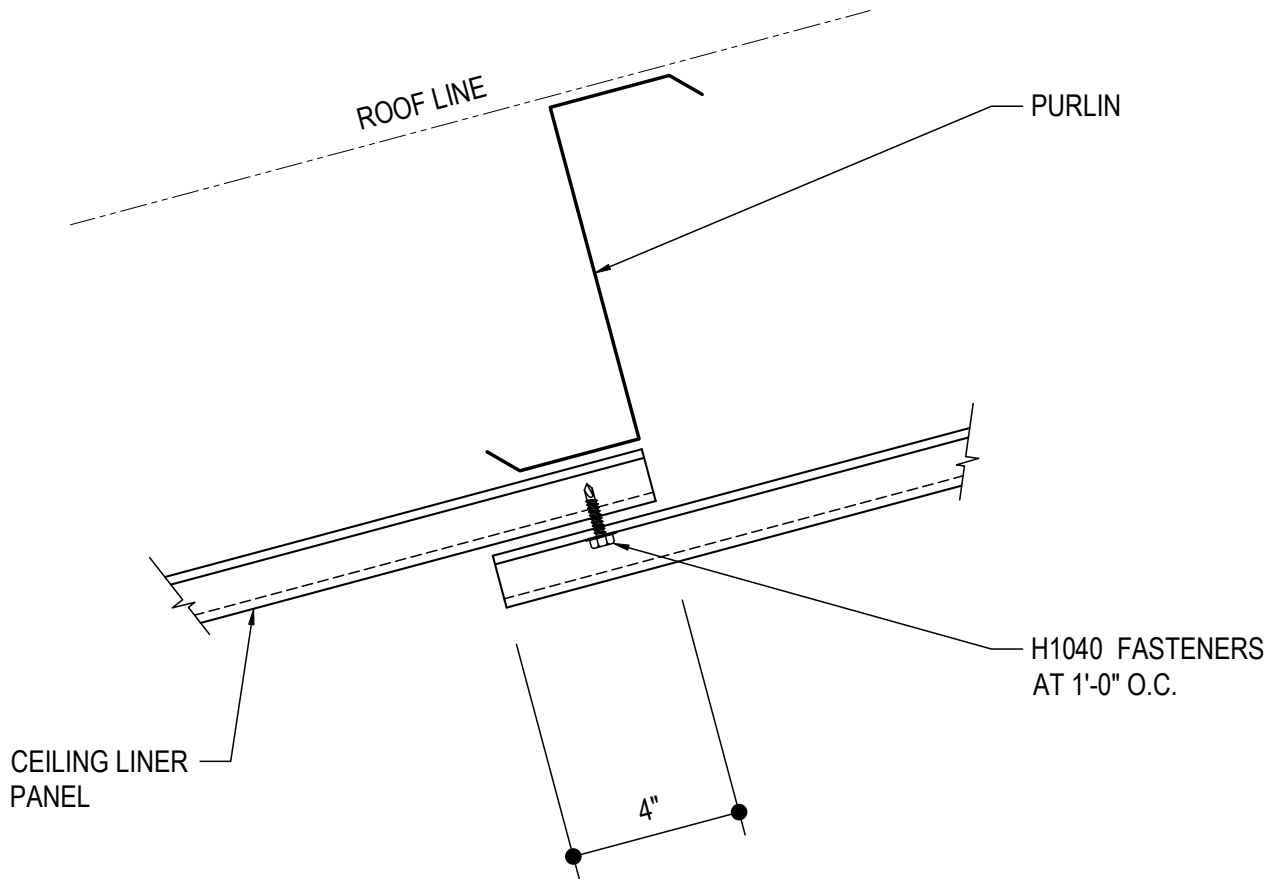
IA0075

Detailer Notes:

1)

IA0080 - CEILING LINER PANEL ENDLAP

[Download the DWG file by clicking here.](#)



CEILING LINER PANEL ENDLAP

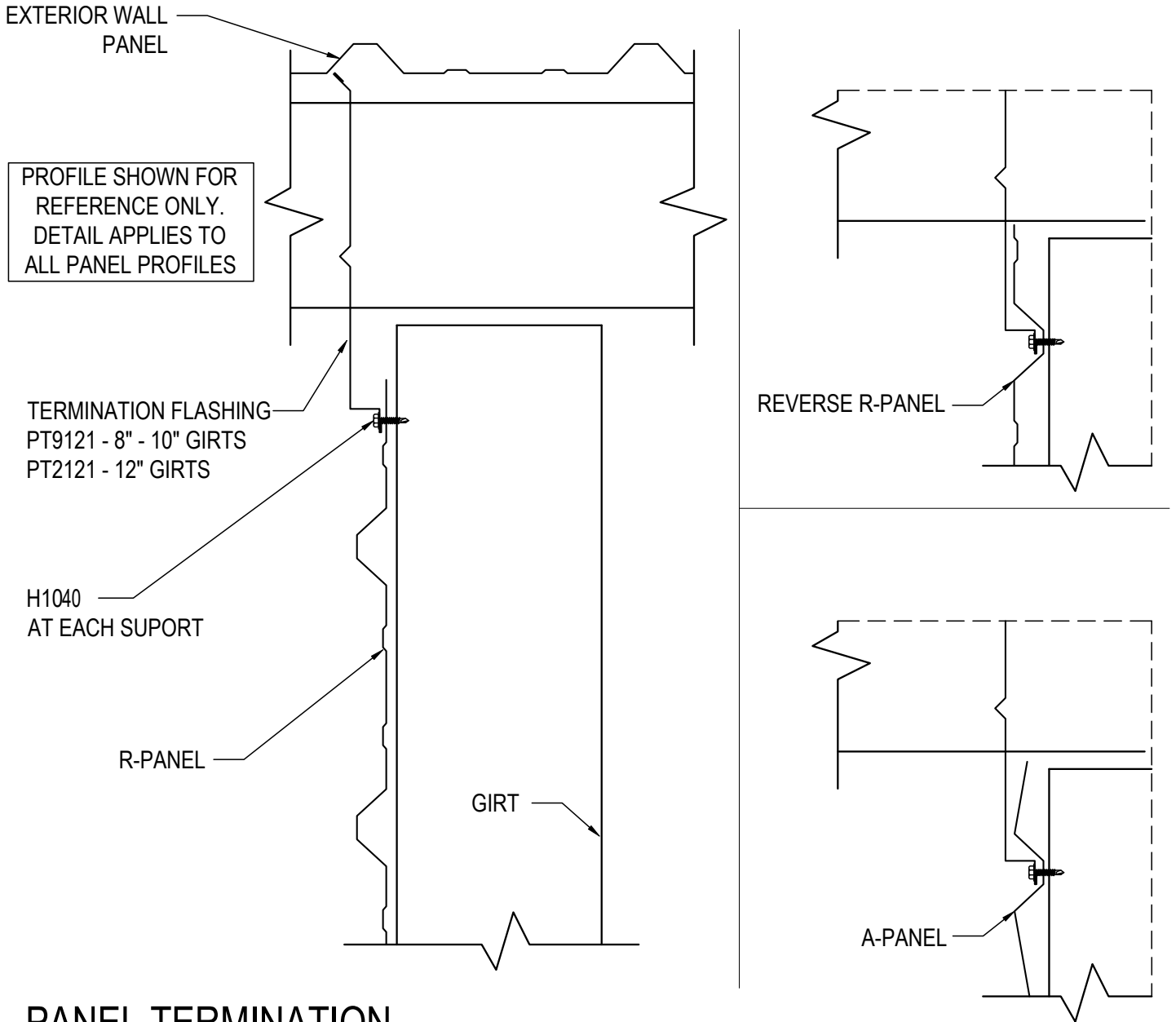
IA0080

Detailer Notes:

1)

IA0090 - PANEL TERMINATION AT WALL

[Download the DWG file by clicking here.](#)



PANEL TERMINATION

FOR ALL STANDARD WALL PANEL TYPES

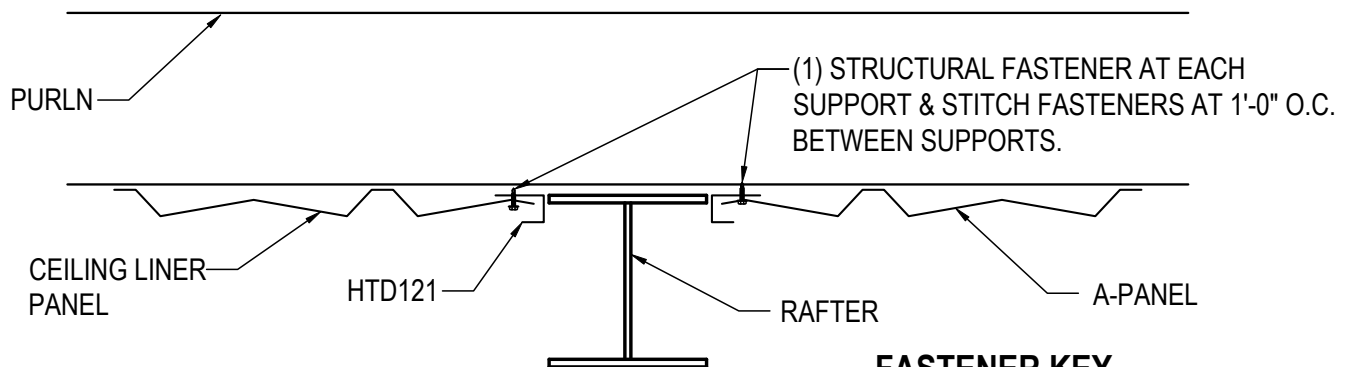
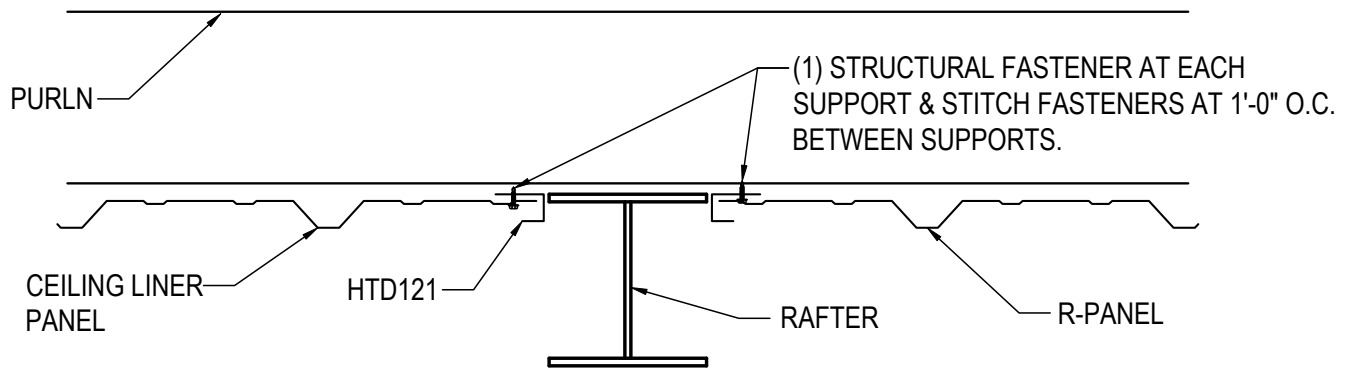
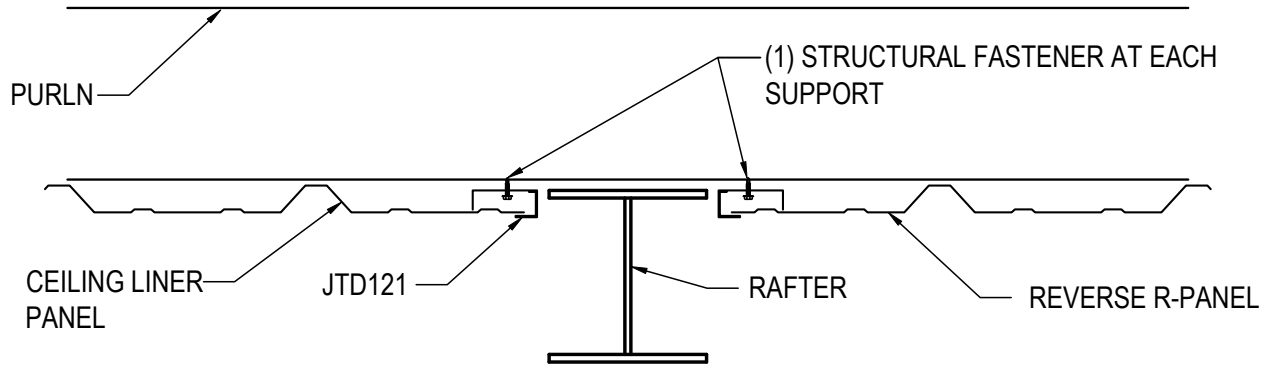
IA0090

Detailer Notes:

- 1) THIS DETAIL IS USED FOR ALL STANDARD LINER PANELS.
- 2) FOR R-PANEL, VERIFY THAT THE MAJOR RIB LOCATION WILL ALLOW FLASHING TO FILL THE VOID IN THE GIRT SPACING.

IA0100 - CEILING LINER TERMINATION AT RAFTER

[Download the DWG file by clicking here.](#)



FASTENER KEY

H1040 - STRUCTURAL FASTENERS
H1060 - STITCH FASTENERS

CEILING LINER TERMINATION AT RAFTER

IA0100

Detailer Notes:

- 1) THIS DETAIL IS USED FOR ALL STANDARD LINER PANELS.